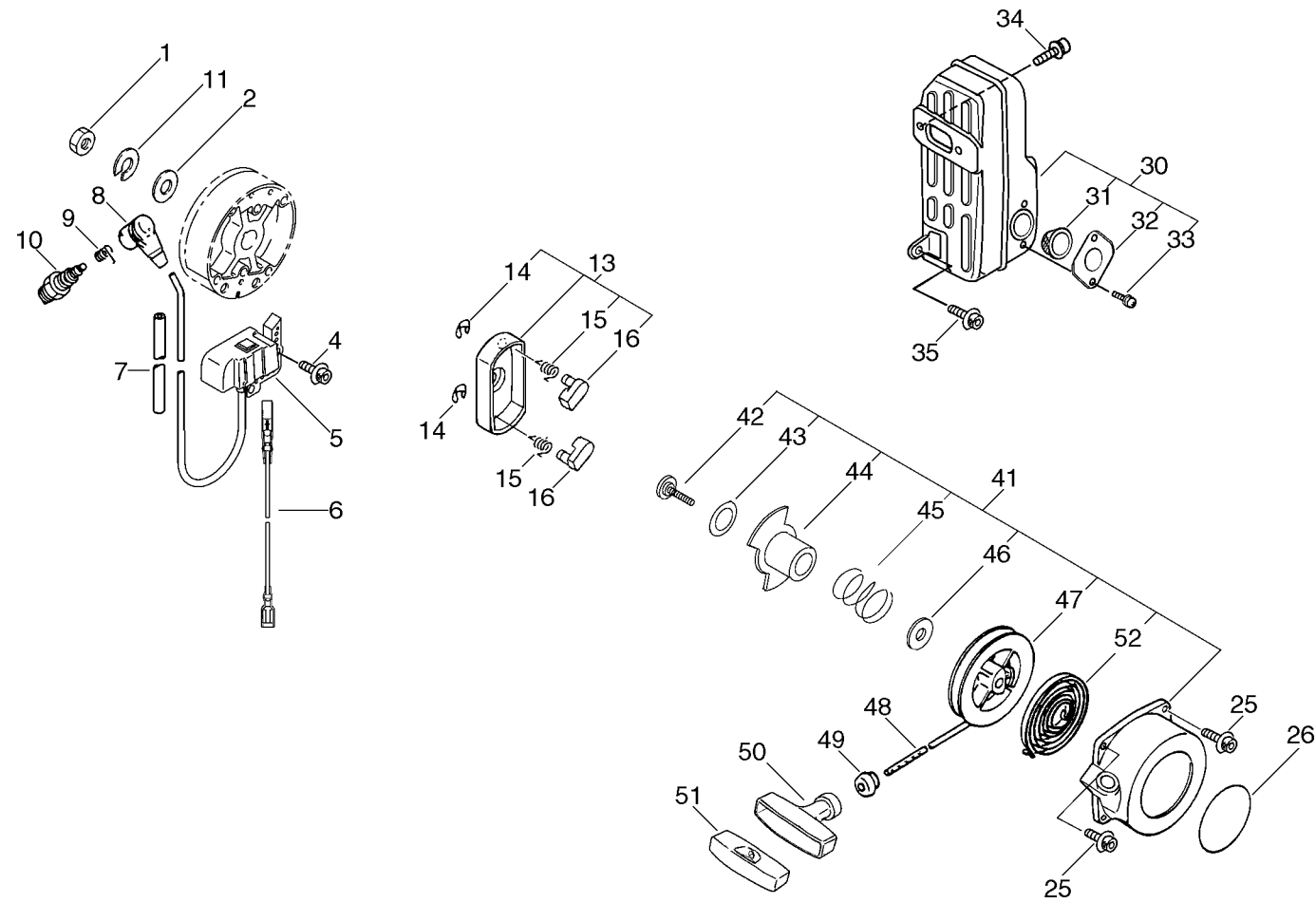


| Key    | Lv | Part Number  | Q'ty | Remark     |
|--------|----|--------------|------|------------|
| Clè    |    | Nr. de Pièce | Qtè  | Remarque   |
| Tafel  |    | Teil         | Anz  | Bemerkun   |
| N° rif |    | N° ricambio  | Q.tà | Attenzione |
| 1      |    | A130-000251  | 1    |            |
| 2      |    | 900162-05025 | 4    |            |
| 3      |    | A160-000340  | 1    |            |
| 4      |    | 900106-05008 | 2    |            |
| 5      |    | V104-000720  | 1    |            |
| 6      |    | V100-000051  | 1    |            |
| 8      |    | P021-002982  | 1    |            |
| 9      | +  | A101-000030  | 1    |            |
| 10     | +  | A101-000020  | 1    |            |
| 11     | +  | V608-000010  | 1    |            |
| 12     | +  | 100015-00120 | 2    |            |
| 13     | +  | V555-000010  | 1    |            |
| 14     | +  | V307-000060  | 2    |            |
| 15     |    | A011-000140  | 1    |            |
| 17     |    | P021-002990  | 1    |            |
| 18     | +  | 94032-36302  | 2    |            |
| 19     | +  | 100215-03930 | 2    |            |
| 20     | +  | 900162-05035 | 4    |            |
| 21     | +  | V508-000010  | 2    |            |
| 22     | +  | V102-000010  | 1    |            |
| 23     |    | 900162-06035 | 6    |            |
| 24     |    | 151112-04630 | 1    |            |
| 25     |    | 159129-08260 | 1    |            |
| 26     |    | 900162-05018 | 1    |            |

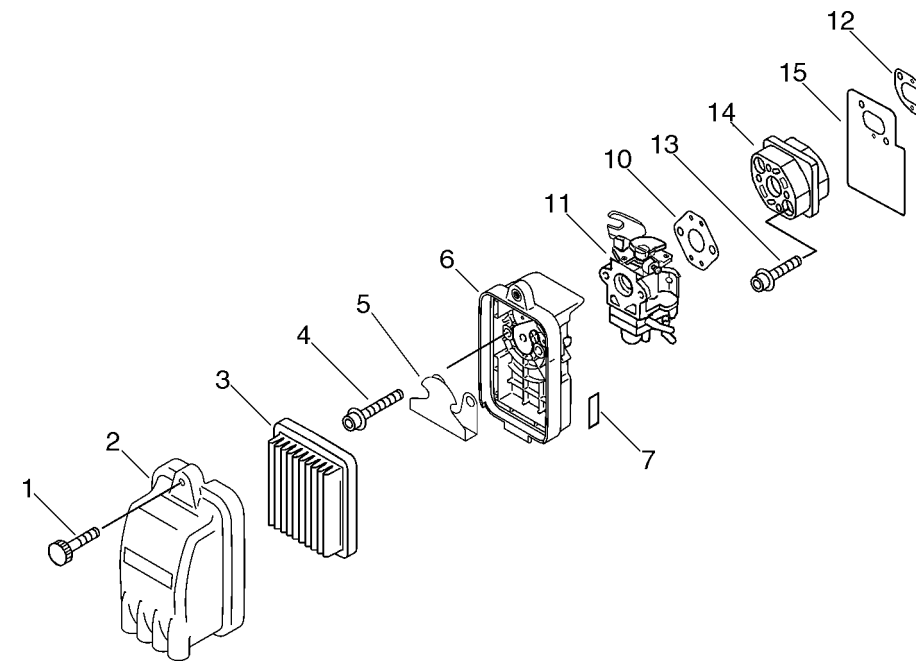
| Key    | Lv | Part Number  | Q'ty | Remark     |
|--------|----|--------------|------|------------|
| Clè    |    | Nr. de Pièce | Qtè  | Remarque   |
| Tafel  |    | Teil         | Anz  | Bemerkun   |
| N° rif |    | N° ricambio  | Q.tà | Attenzione |
| 33     |    | 900323-03014 | 1    |            |



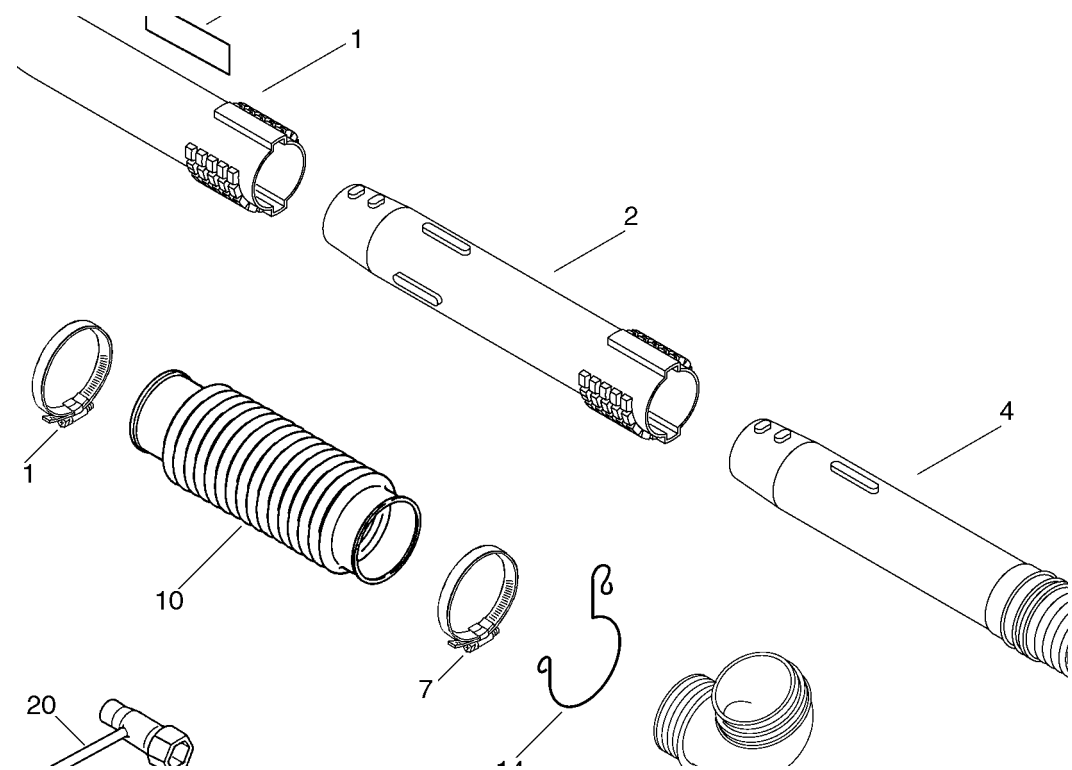
| Key    | Lv | Part Number  | Q'ty | Remark     |
|--------|----|--------------|------|------------|
| Clè    |    | Nr. de Pièce | Qtè  | Remarque   |
| Tafel  |    | Teil         | Anz  | Bemarken   |
| N° rif |    | N° ricambio  | Q.tà | Attenzione |
| 1      |    | 900501-00010 | 1    |            |
| 2      |    | 900602-00010 | 1    |            |
| 4      |    | 900162-05022 | 2    |            |
| 5      |    | A415-000000  | 1    |            |
| 6      |    | V485-000190  | 1    |            |
| 7      |    | 156111-06160 | 1    |            |
| 8      |    | 159012-03433 | 1    |            |
| 9      |    | 159011-03432 | 1    |            |
| 10     |    | A425-000000  | 1    |            |
| 11     |    | 900605-00010 | 1    |            |
| 13     |    | A052-000042  | 1    |            |
| 14     | +  | P022-002100  | 2    |            |
| 15     | +  | P022-003130  | 2    |            |
| 16     | +  | P022-003120  | 2    |            |
| 25     |    | 900106-05014 | 4    |            |
| 26     |    | 890118-17930 | 1    |            |
| 30     |    | P021-003000  | 1    |            |
| 31     | +  | A310-000000  | 1    |            |
| 32     | +  | A313-000310  | 1    |            |
| 33     | +  | 91367-04010  | 2    |            |
| 34     |    | 91107-06020  | 2    |            |
| 35     |    | 900106-05014 | 1    |            |
| 41     |    | A051-000841  | 1    |            |
| 42     | +  | 177236-61830 | 1    |            |

| Key    | Lv | Part Number  | Q'ty | Remark     |
|--------|----|--------------|------|------------|
| Clè    |    | Nr. de Pièce | Qtè  | Remarque   |
| Tafel  |    | Teil         | Anz  | Bemarken   |
| N° rif |    | N° ricambio  | Q.tà | Attenzione |
| 43     | +  | P022-010250  | 1    |            |
| 44     | +  | P022-010220  | 1    |            |
| 45     | +  | P022-010231  | 1    |            |
| 46     | +  | P022-010240  | 1    |            |
| 47     | +  | P022-010280  | 1    |            |
| 48     | +  | P022-010270  | 1    |            |
| 49     | +  | 177227-42030 | 1    |            |
| 50     | +  | 177228-11620 | 1    |            |
| 51     | +  | P022-010260  | 1    |            |
| 52     | +  | P022-004680  | 1    |            |

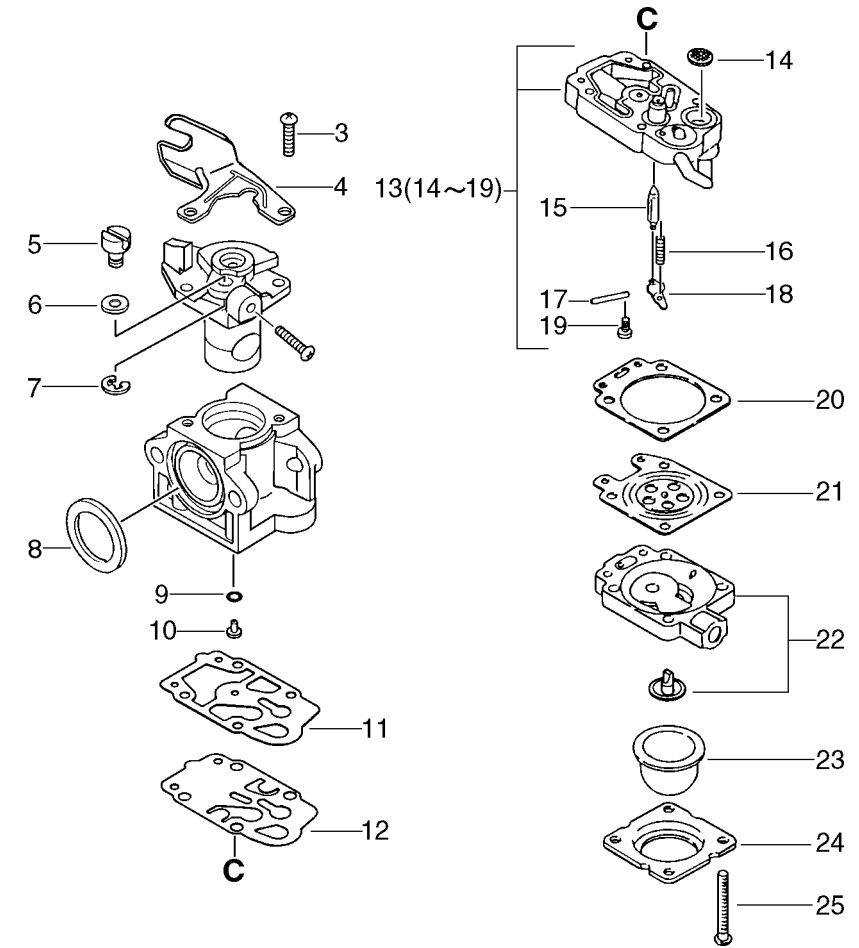
| Key    | Lv | Part Number  | Q'ty | Remark     |
|--------|----|--------------|------|------------|
| Clè    |    | Nr. de Pièce | Qtè  | Remarque   |
| Tafel  |    | Teil         | Anz  | Bemarken   |
| N° rif |    | N° ricambio  | Q.tà | Attenzione |
|        |    | P003-000650  | 1    |            |
| 9-8    | +  | 123143-12110 | 1    |            |
| 9-11   | +  | 123125-40630 | 1    |            |
| 9-12   | +  | 123112-40630 | 1    |            |
| 9-20   | +  | 123140-05560 | 1    |            |
|        | +  | 123183-54230 | 1    |            |
|        | +  | 123183-12110 | 1    |            |
|        | +  | 123143-12210 | 1    |            |
|        | +  | 123183-05960 | 1    |            |
|        | +  | 123140-02960 | 1    |            |
|        | +  | 123159-40630 | 1    |            |
|        | +  | 123141-03930 | 1    |            |
|        |    | P003-000660  | 1    |            |
| 9-8    | +  | 123143-12110 | 1    |            |
| 9-11   | +  | 123125-40630 | 1    |            |
| 9-12   | +  | 123112-40630 | 1    |            |
| 9-14   | +  | 123126-10631 | 1    |            |
| 9-15   | +  | 123137-19830 | 1    |            |
| 9-17   | +  | 123138-03930 | 1    |            |
| 9-18   | +  | 123123-03930 | 1    |            |
| 9-20   | +  | 123140-05560 | 1    |            |
|        | +  | 123183-54230 | 1    |            |
|        | +  | 123183-12110 | 1    |            |
|        | +  | 123143-12210 | 1    |            |
|        | +  | 123183-05960 | 1    |            |
|        | +  | 123140-02960 | 1    |            |
|        | +  | 123159-40630 | 1    |            |
|        | +  | 123141-03930 | 1    |            |



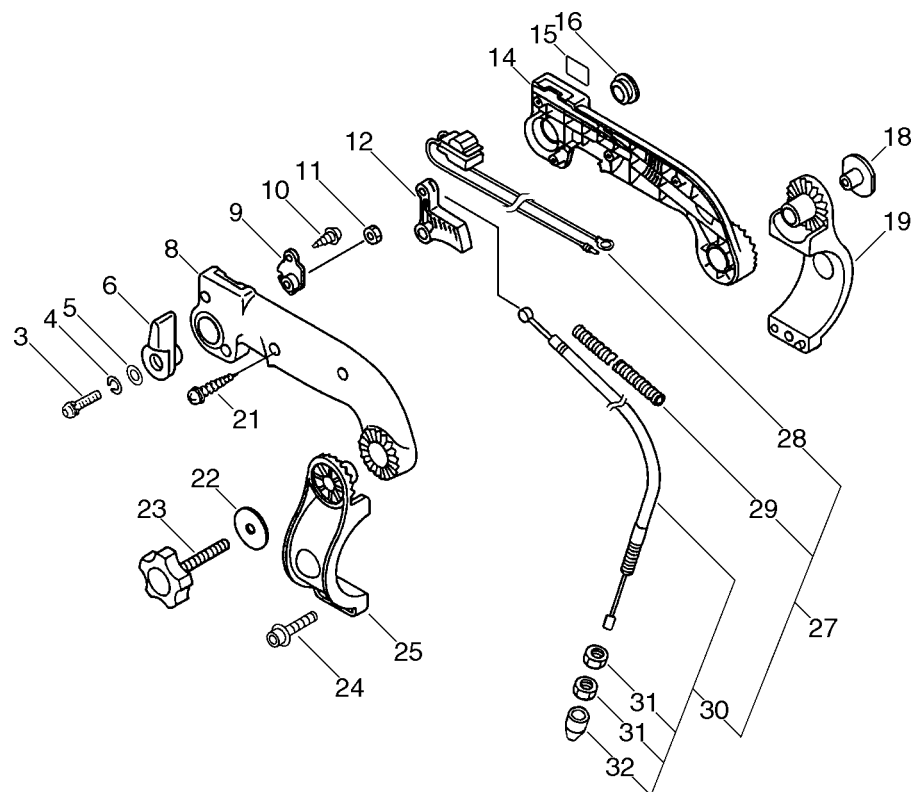
| Key    | Lv | Part Number  | Q'ty | Remark     |
|--------|----|--------------|------|------------|
| Clè    |    | Nr. de Pièce | Qtè  | Remarque   |
| Tafel  |    | Teil         | Anz  | Bemarken   |
| N° rif |    | N° ricambio  | Q.tà | Attenzione |
| 1      |    | V299-000290  | 1    |            |
| 2      |    | A232-000080  | 1    |            |
| 3      |    | A226-000031  | 1    |            |
| 4      |    | 900105-05060 | 2    |            |
| 5      |    | A244-000040  | 1    |            |
| 6      |    | P021-002521  | 1    |            |
| 7      |    | 890332-52730 | 1    |            |
| 10     |    | V103-000080  | 1    |            |
| 11     |    | A021-000311  | 1    |            |
| 12     |    | V103-000140  | 1    |            |
| 13     |    | 900106-05025 | 2    |            |
| 14     |    | A200-000070  | 1    |            |
| 15     |    | V103-000130  | 1    |            |



| Key    | Lv | Part Number  | Q'ty | Remark     |
|--------|----|--------------|------|------------|
| Clè    |    | Nr. de Pièce | Qtè  | Remarque   |
| Tafel  |    | Teil         | Anz  | Bemarken   |
| N° rif |    | N° ricambio  | Q.tà | Attenzione |
| 1      |    | 131004-55530 | 1    |            |
| 2      | +  | 131016-55830 | 1    |            |
| 3      | +  | 131051-56030 | 1    |            |
| 4      |    | A350-000151  | 1    |            |
| 5      |    | 900106-05014 | 4    |            |
| 6      |    | A392-000000  | 1    |            |
| 10     |    | 132115-55930 | 1    |            |
| 11     |    | V471-000550  | 1    |            |
| 12     |    | 132010-35430 | 1    |            |
| 13     |    | 132013-26630 | 2    |            |
| 14     |    | 131205-19830 | 1    |            |
| 15     |    | A356-000030  | 1    |            |
| 16     |    | 131328-40630 | 1    |            |
| 17     |    | V471-000610  | 1    |            |
| 18     |    | V186-000080  | 1    |            |

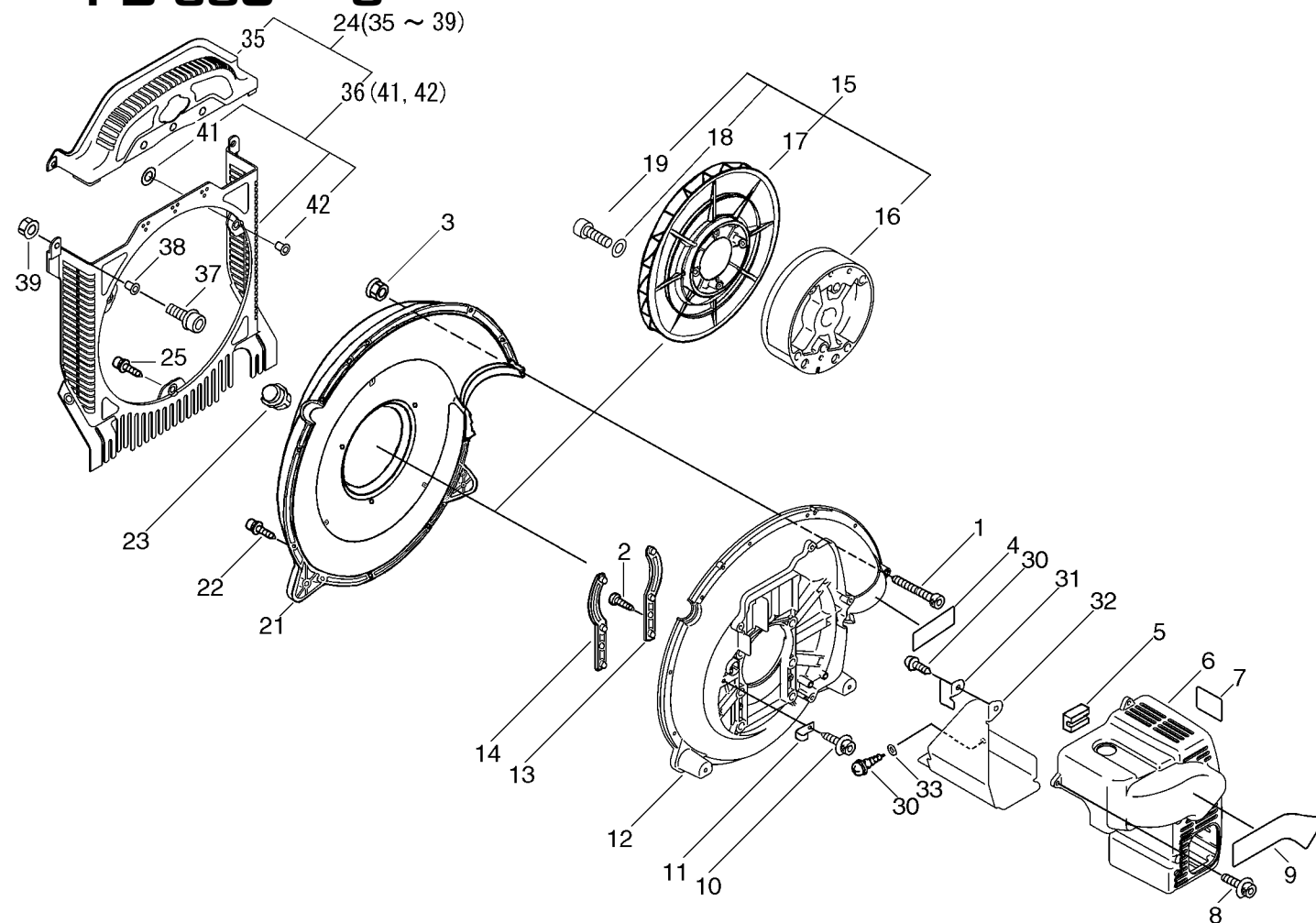


| Key    | Lv | Part Number  | Q'ty | Remark     |
|--------|----|--------------|------|------------|
| Clè    |    | Nr. de Pièce | Qtè  | Remarque   |
| Tafel  |    | Teil         | Anz  | Bemarken   |
| N° rif |    | N° ricambio  | Q.tà | Attenzione |
|        |    | A021-000311  | 1    |            |
| 3      | +  | 123114-40630 | 2    |            |
| 4      | +  | P003-000180  | 1    |            |
| 5      | +  | 123172-45130 | 1    |            |
| 6      | +  | 123149-54230 | 1    |            |
| 7      | +  | 123173-07930 | 1    |            |
| 8      | +  | 123143-12110 | 1    |            |
| 9      | +  | 123183-40630 | 1    |            |
| 10     | +  | P003-000640  | 1    |            |
| 11     | +  | 123125-40630 | 1    |            |
| 12     | +  | 123112-40630 | 1    |            |
| 13     | +  | P003-000630  | 1    |            |
| 14     | ++ | 123126-10631 | 1    |            |
| 15     | ++ | 123137-19830 | 1    |            |
| 16     | ++ | 123122-05560 | 1    |            |
| 17     | ++ | 123138-03930 | 1    |            |
| 18     | ++ | 123123-03930 | 1    |            |
| 19     | ++ | 123139-05560 | 1    |            |
| 20     | +  | 123140-05560 | 1    |            |
| 21     | +  | P003-000090  | 1    |            |
| 22     | +  | 123180-05560 | 1    |            |
| 23     | +  | 123181-40630 | 1    |            |
| 24     | +  | 123142-05560 | 1    |            |
| 25     | +  | 123110-05560 | 4    |            |



| Key    | Lv | Part Number  | Q'ty | Remark     |
|--------|----|--------------|------|------------|
| Clè    |    | Nr. de Pièce | Qtè  | Remarque   |
| Tafel  |    | Teil         | Anz  | Bemarker   |
| N° rif |    | N° ricambio  | Q.tà | Attenzione |
| 3      |    | 900235-06020 | 1    |            |
| 4      |    | 900605-00006 | 1    |            |
| 5      |    | 900603-00006 | 1    |            |
| 6      |    | 178054-07560 | 1    |            |
| 8      |    | 351315-07560 | 1    |            |
| 9      |    | 178123-07561 | 1    |            |
| 10     |    | 900245-04010 | 1    |            |
| 11     |    | 900500-00006 | 1    |            |
| 12     |    | 178010-07561 | 1    |            |
| 14     |    | 351311-07560 | 1    |            |
| 15     |    | 890157-06560 | 1    |            |
| 16     |    | 351146-07560 | 1    |            |
| 18     |    | 178021-08260 | 1    |            |
| 19     |    | C405-000030  | 1    |            |
| 21     |    | 900256-04022 | 4    |            |
| 22     |    | 178516-07560 | 1    |            |
| 23     |    | 305812-08260 | 1    |            |
| 24     |    | 91145-05020  | 1    |            |
| 25     |    | C405-000020  | 1    |            |
| 27     |    | V043-000040  | 1    |            |
| 28     | +  | A440-000660  | 1    |            |
| 29     | +  | V475-003210  | 1    |            |
| 30     | +  | V430-000450  | 1    |            |
| 31     | ++ | 900503-00006 | 2    |            |

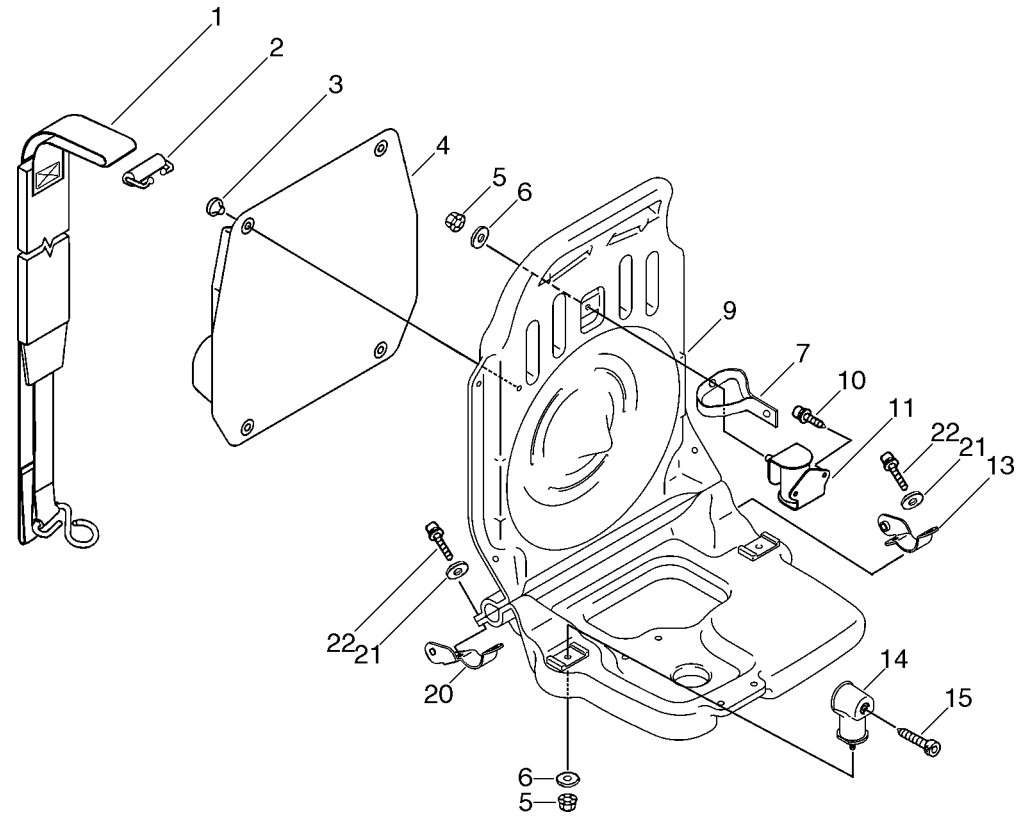
| Key    | Lv | Part Number  | Q'ty | Remark     |
|--------|----|--------------|------|------------|
| Clè    |    | Nr. de Pièce | Qtè  | Remarque   |
| Tafel  |    | Teil         | Anz  | Bemarker   |
| N° rif |    | N° ricambio  | Q.tà | Attenzione |
| 32     | ++ | V494-000080  | 1    |            |



| Key    | Lv | Part Number  | Q'ty | Remark     |
|--------|----|--------------|------|------------|
| Clè    |    | Nr. de Pièce | Qtè  | Remarque   |
| Tafel  |    | Teil         | Anz  | Bemarker   |
| N° rif |    | N° ricambio  | Q.tà | Attenzione |
| 1      |    | 900105-05060 | 2    |            |
| 2      |    | 900246-05014 | 2    |            |
| 3      |    | 900516-00005 | 2    |            |
| 4      |    | 890160-09461 | 1    |            |
| 5      |    | V420-000570  | 1    |            |
| 6      |    | A190-000111  | 1    |            |
| 7      |    | 890160-06361 | 1    |            |
| 8      |    | 91145-05020  | 4    |            |
| 9      |    | X503-002651  | 1    |            |
| 10     |    | 91145-05016  | 1    |            |
| 11     |    | 178111-22330 | 1    |            |
| 12     |    | E103-000133  | 1    |            |
| 13     |    | C632-000052  | 1    |            |
| 14     |    | C632-000042  | 1    |            |
| 15     |    | P021-009560  | 1    |            |
| 16     | +  | A409-000250  | 1    |            |
| 17     | +  | E100-000041  | 1    |            |
| 18     | +  | 145642-06230 | 4    |            |
| 19     | +  | 900105-06035 | 4    |            |
| 21     |    | E103-000141  | 1    |            |
| 22     |    | 91145-05020  | 12   |            |
| 23     |    | E109-000010  | 1    |            |
| 24     |    | P021-005143  | 1    |            |
| 35     | +  | E104-000041  | 1    |            |

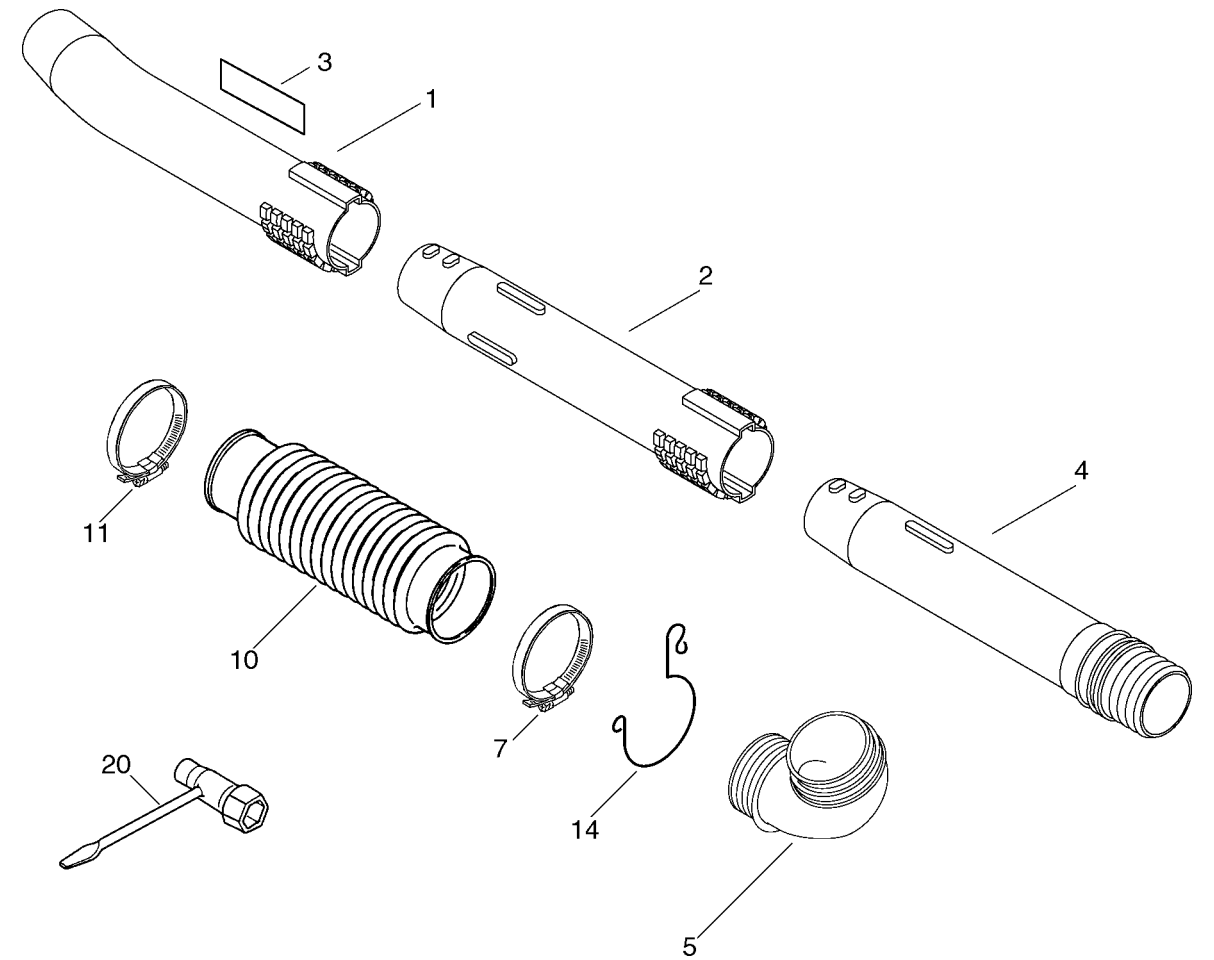
| Key    | Lv | Part Number  | Q'ty | Remark     |
|--------|----|--------------|------|------------|
| Clè    |    | Nr. de Pièce | Qtè  | Remarque   |
| Tafel  |    | Teil         | Anz  | Bemarker   |
| N° rif |    | N° ricambio  | Q.tà | Attenzione |
| 36     | +  | P021-005611  | 1    |            |
| 41     | ++ | 613019-07350 | 2    |            |
| 42     | ++ | 104915-08260 | 2    |            |
| 37     | +  | 900106-05020 | 4    |            |
| 38     | +  | 104915-08260 | 4    |            |
| 39     | +  | 9005625-0005 | 4    |            |
| 25     |    | 91145-05020  | 3    |            |
| 30     |    | 900253-05010 | 2    |            |
| 31     |    | V152-000770  | 1    |            |
| 32     |    | A322-000020  | 1    |            |
| 33     |    | 900603-00005 | 1    |            |

**PB-650 6**



| Key    | Lv | Part Number  | Q'ty | Remark     |
|--------|----|--------------|------|------------|
| Clè    |    | Nr. de Pièce | Qtè  | Remarque   |
| Tafel  |    | Teil         | Anz  | Bemarken   |
| N° rif |    | N° ricambio  | Q.tà | Attenzione |
| 1      |    | C061-000110  | 2    |            |
| 2      |    | V491-000040  | 2    |            |
| 3      |    | V491-000120  | 4    |            |
| 4      |    | 300105-08261 | 1    |            |
| 5      |    | 900516-00005 | 3    |            |
| 6      |    | 613019-07350 | 3    |            |
| 7      |    | C617-000150  | 1    |            |
| 9      |    | C066-000003  | 1    |            |
| 10     |    | 91145-05016  | 2    |            |
| 11     |    | 100905-08261 | 1    |            |
| 13     |    | C626-000010  | 1    |            |
| 14     |    | V401-000070  | 2    |            |
| 15     |    | 91145-05016  | 2    |            |
| 20     |    | C626-000030  | 1    |            |
| 21     |    | 613019-07350 | 4    |            |
| 22     |    | 900105-05020 | 4    |            |

**PB-650 7**



| Key    | Lv | Part Number  | Q'ty | Remark     |
|--------|----|--------------|------|------------|
| Clè    |    | Nr. de Pièce | Qtè  | Remarque   |
| Tafel  |    | Teil         | Anz  | Bemarken   |
| N° rif |    | N° ricambio  | Q.tà | Attenzione |
| 1      |    | E165-000160  | 1    |            |
| 2      |    | E165-000140  | 1    |            |
| 3      |    | 890118-04262 | 2    |            |
| 4      |    | E165-000130  | 1    |            |
| 5      |    | E160-000091  | 1    |            |
| 7      |    | V495-000440  | 1    |            |
| 10     |    | E164-000051  | 1    |            |
| 11     |    | V495-000430  | 1    |            |
| 14     |    | V490-000230  | 1    |            |
| 20     |    | 895410-03930 | 1    |            |



**PARTS CATALOGUE  
CATALOGUE DE PIECE  
ERSATZEIL-KATALOG  
CATALOGO PARTI**

**PB-650**

