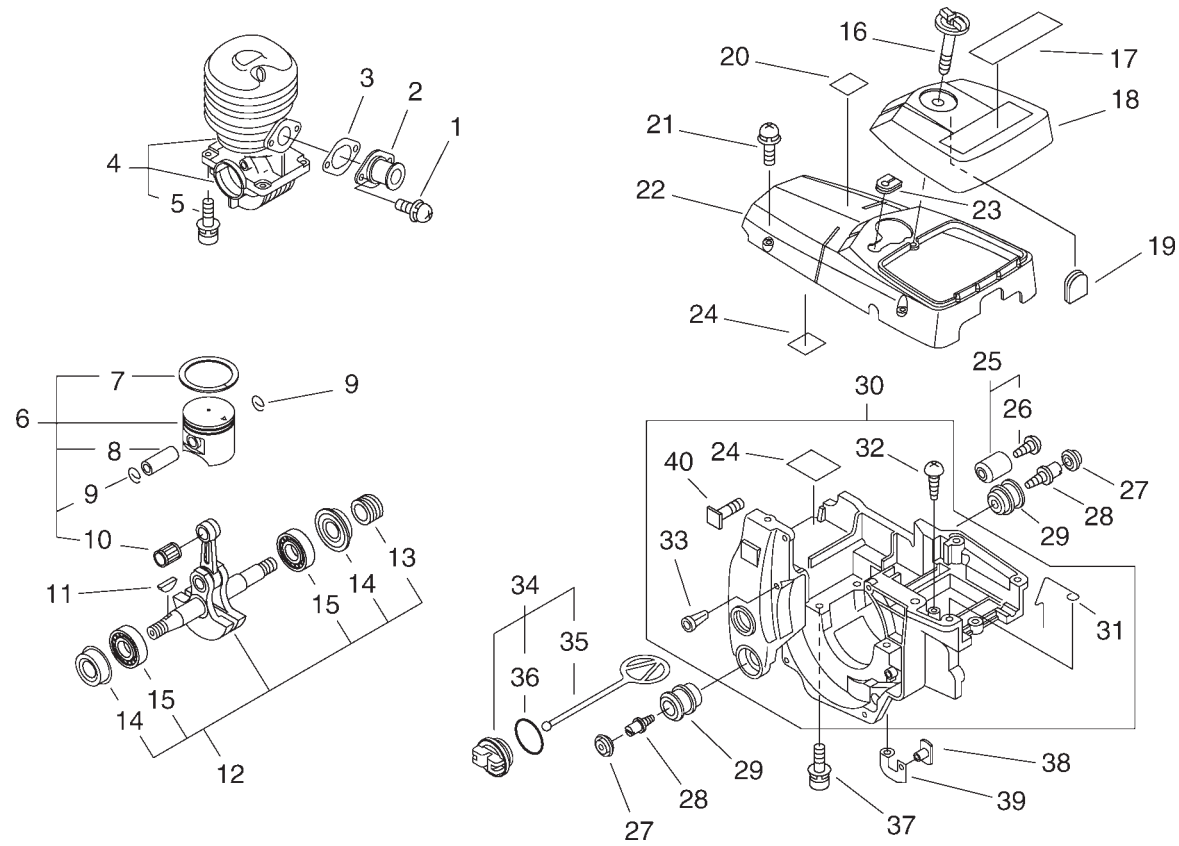
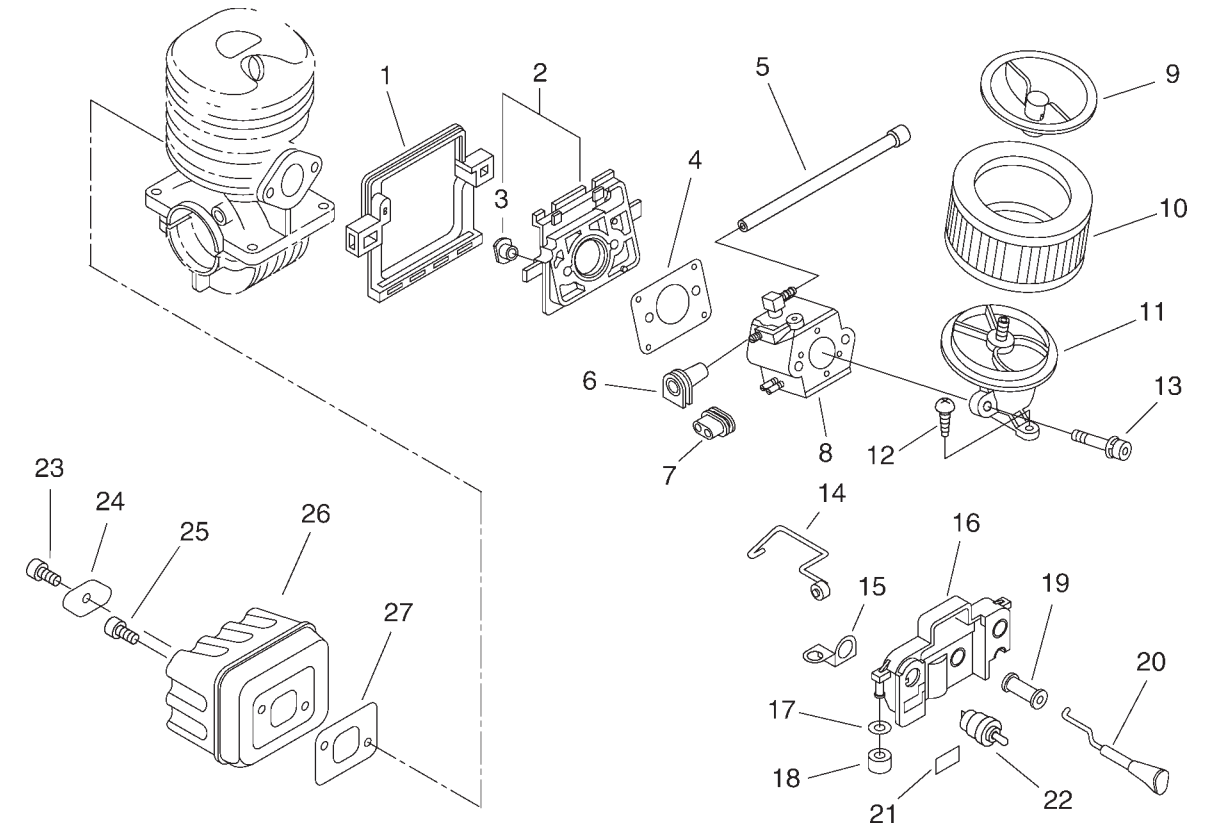


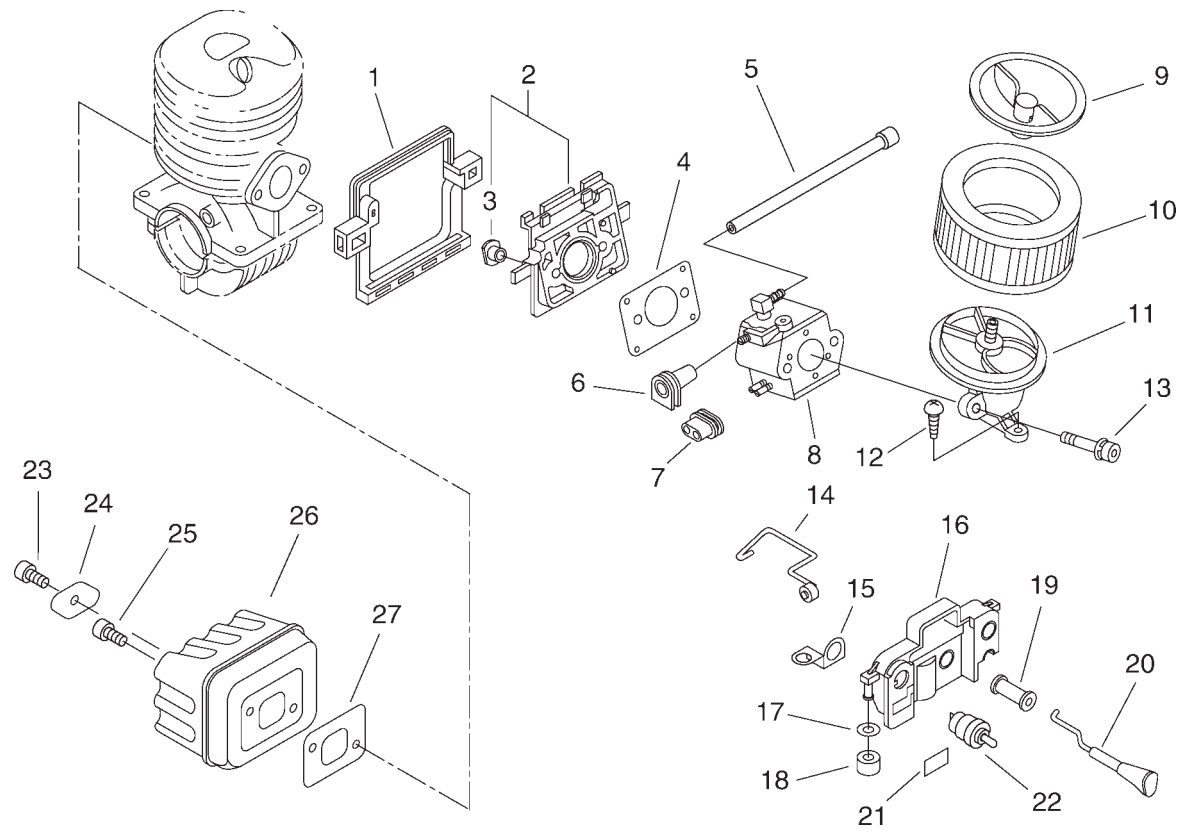
KEY	LV	PART NUMBER	Q'TY	DESCRIPTION	REMARKS
1		900238-05012	2	SCREW 5*12	
2		130510-39932	1	ADAPTER, INTAKE	
3		130016-39930	1	GASKET, INTAKE	
4		P021-004100	1	CRANKCASE SET	
5	+	900162-05022	4	BOLT, H.S. 5*22	
6		100000-60631	1	PISTON KIT	
7	+	100011-13330	1	RING, PISTON	
8	+	100013-35430	1	PIN, PISTON	
9	+	100015-03931	2	CIRCLIP, PISTON PIN	
10	+	100012-35430	1	BEARING, NEEDLE	
11		100142-39130	1	KEY, WOODRUFF	
12		P021-007240	1	CRANKSHAFT ASY	
13	+	437063-38330	1	GEAR, WORM	
14	+	V505-000010	2	SEAL, OIL 12	
15	+	900888-36201	2	BEARING, BALL 6201	
16		A235-000020	1	KNOB, CLEANER LID	
17		X503-004711	1	LABEL, MODEL	
18		A232-000021	1	LID, CLEANER	
19		130338-32430	1	PLUG, COVER	
20		890345-39230	1	LABEL, CAUTION	
21		900238-05025	3	SCREW 5*25	
22		A160-000014	1	COVER, CYLINDER	
23		V135-000010	1	GROMMET, HT CORD	
24		101520-35430	1	COVER	



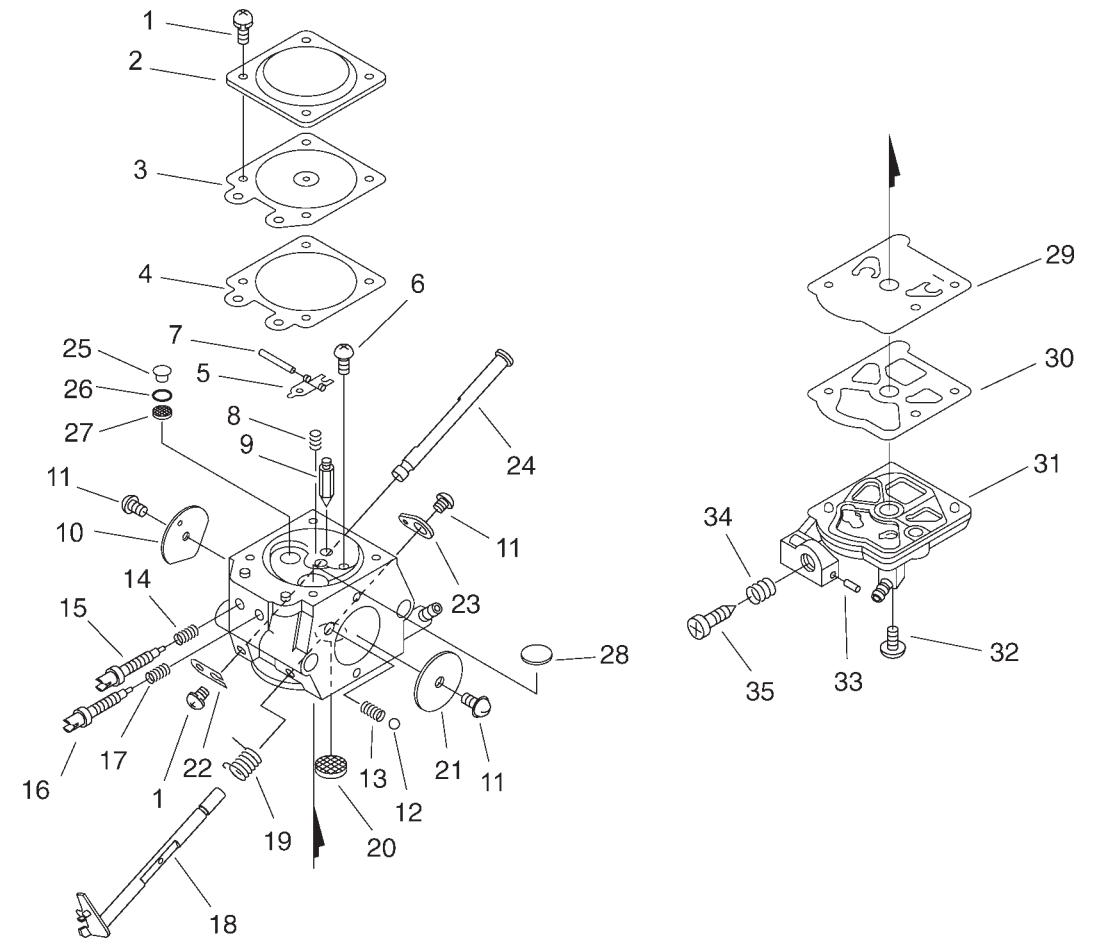
KEY	LV	PART NUMBER	Q'TY	DESCRIPTION	REMARKS
25		433000-60930	1	CATCHER KIT, CHAIN	
26	+	900253-05020	1	SCREW 5*20	
27		100918-19830	2	CAP, CUSHION	
28		100915-33930	2	SCREW	
29		100910-60030	2	CUSHION	
30		P021-007181	1	COVER, ENGINE	
31	+	606416-60631	1	WIRE	
32	+	900253-04008	1	SCREW 4*8	
24	+	101520-35430	1	COVER	
33	+	436114-13930	1	VALVE, CHECK	
40	+	433011-19830	2	STUD, GUIDE BAR	
34		436001-39232	1	CAP, OIL	
35	+	A365-000050	1	CONNECTOR,CAP	
36	+	900721-00025	1	O-RING 25	
37		900162-05030	4	BOLT, H.S. 5*30	
38		130020-60630	2	NUT 5	
39		162011-60630	1	PLATE, GROUND	



KEY	LV	PART NUMBER	Q'TY	DESCRIPTION	REMARKS
1		130366-39930	1	CUSHION	
2		130007-39931	1	INSULATOR	
3	+	130020-33330	2	NUT	
4		130010-38330	1	GASKET, INTAKE	
5		130110-54430	1	PIPE, IMPULSE	
6		129023-39930	1	GROMMET, IDLE	
7		129010-33330	1	GROMMET	
8		123000-38332	1	CARBURETOR ASSY	
9		130405-38331	1	BRACKET, AIR CLEANER	
10		130300-39730	1	CLEANER ASM., AIR	
11		130301-39933	1	ADAPTER, INTAKE	
12		900253-05016	1	SCREW	
13		900162-05050	2	BOLT, H.S. 5*50	
14		178011-39930	1	ROD, THROTTLE	
15		163413-59530	1	PLATE, CONTACT	
16		163810-59535	1	BRACKET, SWITCH	
17		900600-00005	2	WASHER 5	
18		351134-39930	2	CUSHION	
19		178810-14534	1	GROMMET	
20		A241-000100	1	KNOB, CHOKE	
21		890157-39130	1	LABEL, SWITCH	
22		163400-35430	1	SWITCH, IGNITION	
23		900105-04006	1	BOLT, H.S. 4*6	
24		145711-60631	1	STAY, MUFFLER	



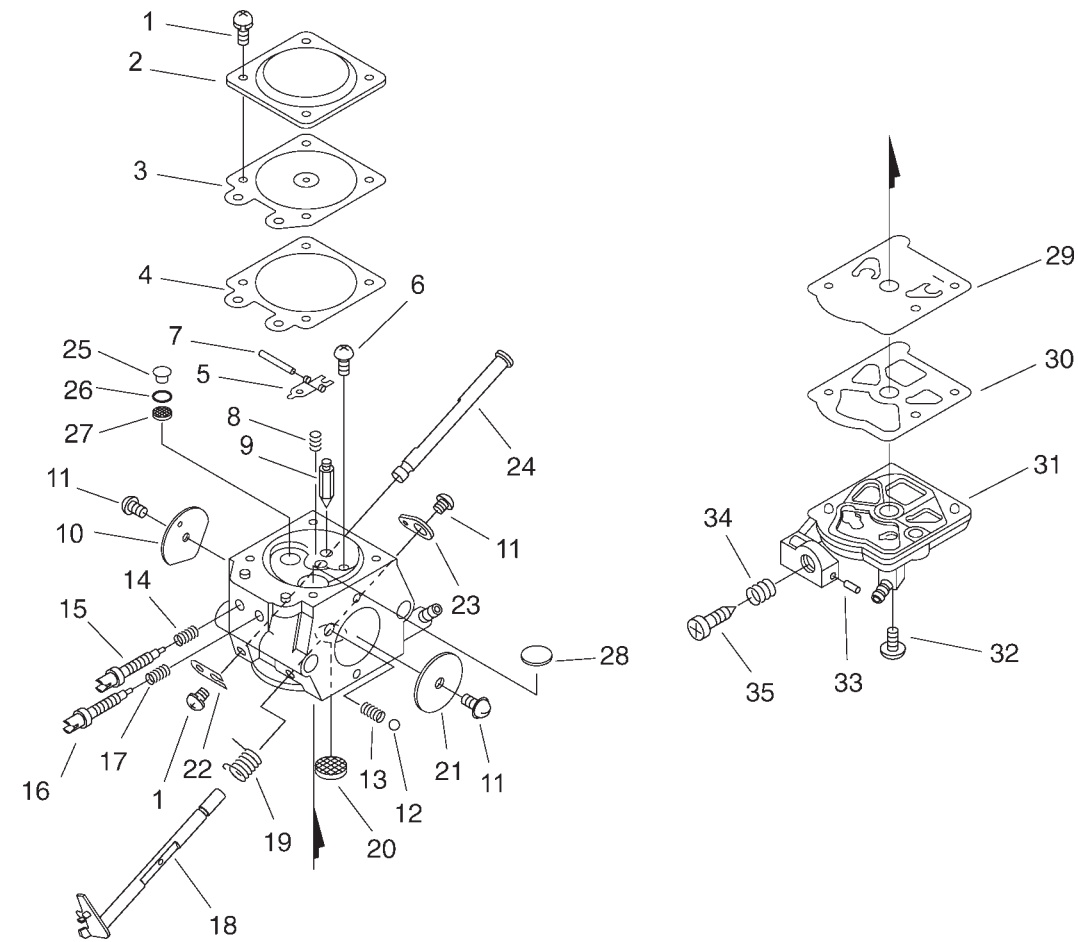
KEY	LV	PART NUMBER	Q'TY	DESCRIPTION	REMARKS
25		900105-05014	2	BOLT, H.S. 5*14	
26		145610-39930	1	MUFFLER	
27		145510-35431	1	GASKET, MUFFLER	



KEY	LV	PART NUMBER	Q'TY	DESCRIPTION	REMARKS
24	+	123131-35430	1	SHAFT, CHOKE	
25	+	123146-17330	1	PLUG, CUP	
26	+	123169-10630	1	RING, RETAINING	
27	+	123168-10631	1	SCREEN	
28	+	123146-10631	1	PLUG, WELCH	
29	+	123112-15030	1	DIAPHRAGM, FUEL PUMP	
30	+	123125-15030	1	GASKET, FUEL PUMP	
31	+	123124-38330	1	COVER, FUEL PUMP	
32	+	123110-03930	1	SCREW, PUMP COVER	
33	+	123178-15030	1	PLUG, FRICTION	
34	+	123133-04260	1	SPRING, IDLE ADJUST	
35	+	123134-04260	1	SCREW, IDLE ADJUST	

CS-3700ES

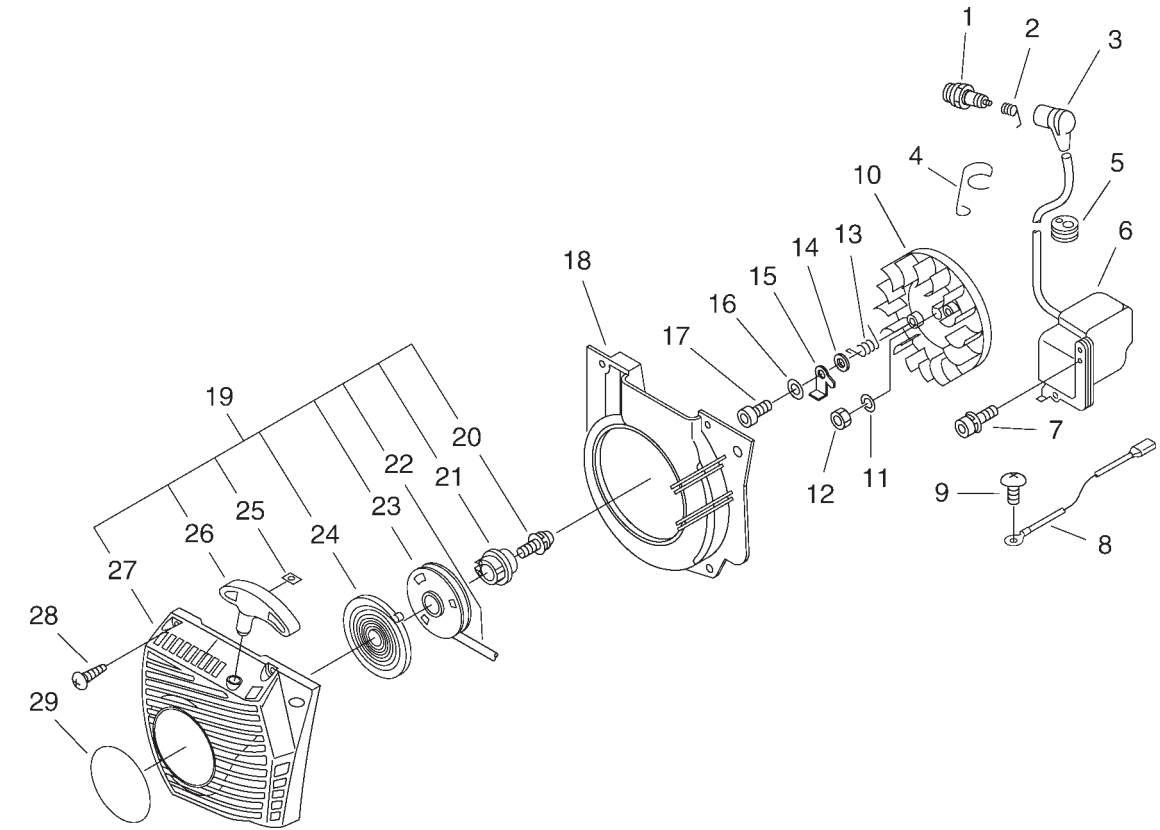
7 Carburetor



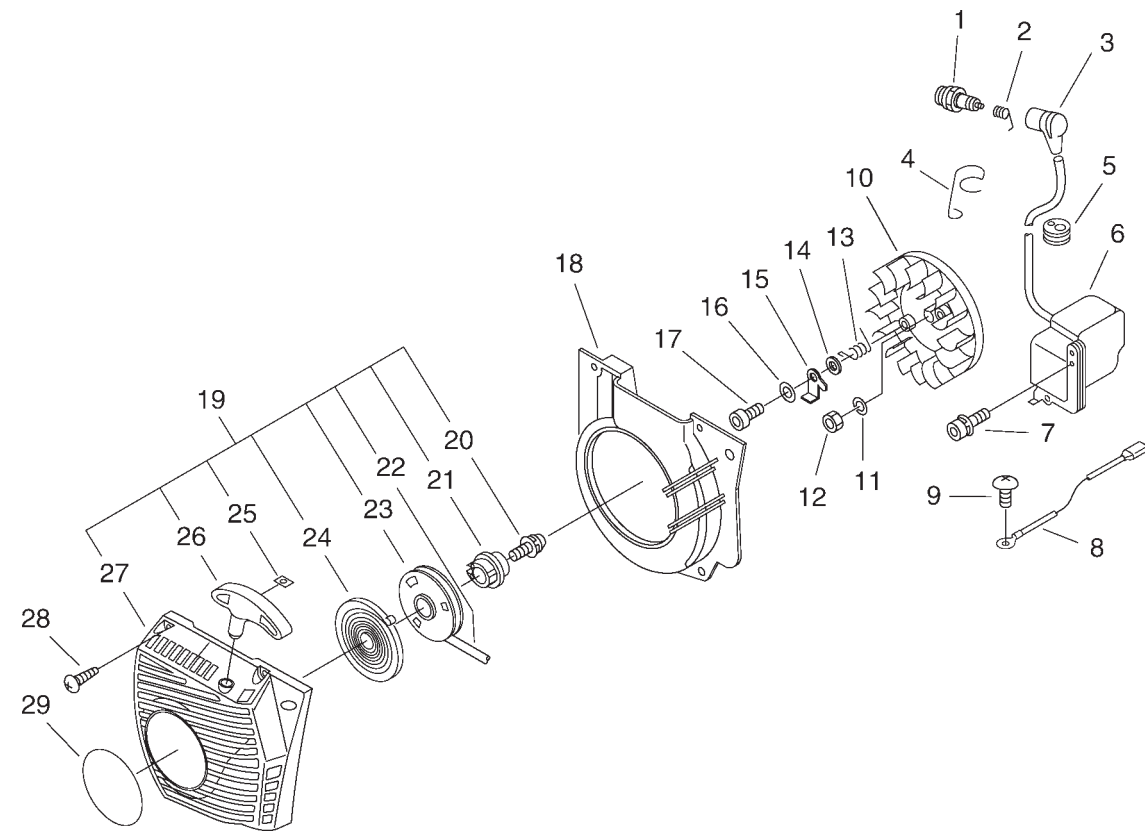
KEY	LV	PART NUMBER	Q'TY	DESCRIPTION	REMARKS
		123000-38332	1	CARBURETOR ASSY	
1	+	123130-02960	5	SCREW	
2	+	123142-03930	1	COVER, M. DIAPHRAGM	
3	+	123141-03930	1	DIAPHRAGM, METERING	
4	+	123140-03930	1	GASKET, M. DIAPHRAGM	
5	+	123123-38330	1	LEVER, METERING	
6	+	123139-03930	1	SCREW, M. LEVER PIN	
7	+	123138-03930	1	PIN, METERING LEVER	
8	+	123122-11130	1	SPRING, METER. LEVER	
9	+	123137-19830	1	VALVE, INLET NEEDLE	
10	+	123132-37330	1	VALVE, CHOKE	
11	+	123114-38830	3	SCREW	
12	+	123136-10630	1	BALL, CHOKE FRICTION	
13	+	123135-10630	1	SPRING, CHOKE FRICT.	
14	+	123119-22130	1	SPRING, NEEDLE	
15	+	123120-38330	1	NEEDLE, HIGH SPEED	
16	+	123118-38330	1	NEEDLE, IDLE	
17	+	123121-22130	1	SPRING, NEEDLE	
18	+	123117-38330	1	SHAFT, THROTTLE	
19	+	123113-37330	1	SPRING, THRT, RETURN	
20	+	123126-10631	1	SCREEN, INLET	
21	+	123116-10530	1	VALVE, THROTTLE	
22	+	123127-03930	1	CLIP, THROTTLE SHAFT	
23	+	123150-38330	1	LEVER, THROTTLE	

CS-3700ES

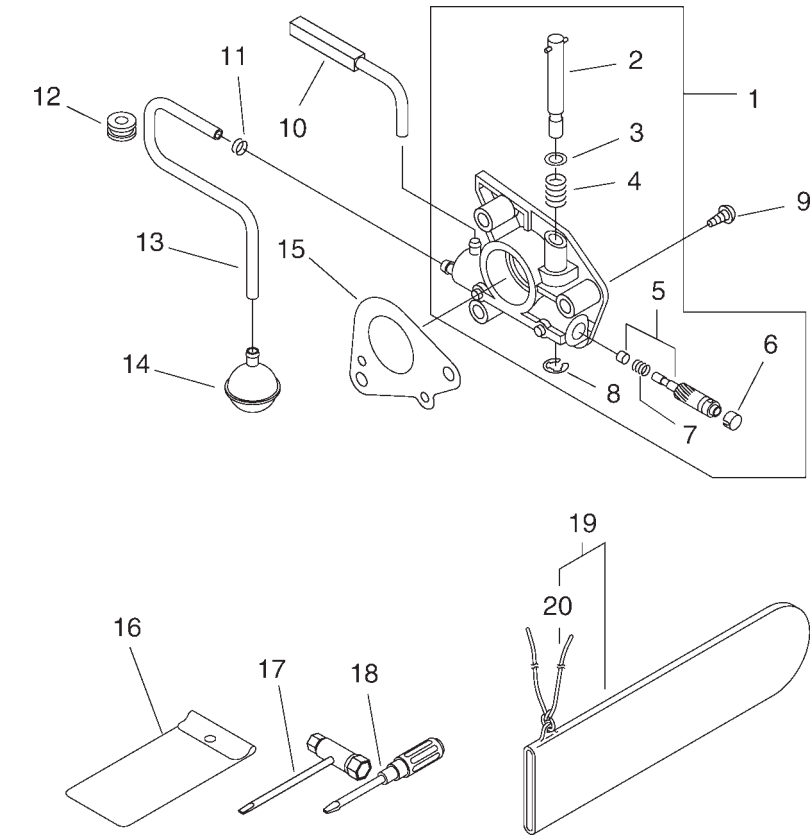
3 Starter, Magneto



KEY	LV	PART NUMBER	Q'TY	DESCRIPTION	REMARKS
1		159017-16431	1	PLUG, SPARK (CJ-6Y)	
2		A426-000010	1	TERMINAL, SPARKPLUG	
3		A427-000012	1	CAP, SPARK PLUG	
4		159118-39930	1	GUIDE, CORD	
5		151112-04630	1	BUSHING	
6		156626-60630	1	COIL, IGNITION	
7		900162-05022	2	BOLT, H.S. 5*22	
8		156630-39930	1	LEAD, GROUND	
9		900216-04006	1	SCREW	
10		156801-60630	1	FLYWHEEL	
11		900605-00008	1	WASHER, SPRING 8	
12		900500-00008	1	NUT 8	
13		177234-35430	2	SPRING, RETURN	
14		177247-04630	2	SPACER, RATCHET	
15		177218-35430	2	PAWL, STARTER	
16		900603-00005	2	WASHER 5	
17		V203-000090	2	BOLT, 5	
18		101535-39932	1	COVER, FAN	
19		A051-000581	1	STARTER, RECOIL	
20	+	P022-004630	1	SCREW	
21	+	P022-008020	1	CATCHER, PAWL	
22	+	P022-006231	1	ROPE	
23	+	P022-006240	1	REEL COMP	
24	+	P022-006250	1	SPRING, SPIRAL	



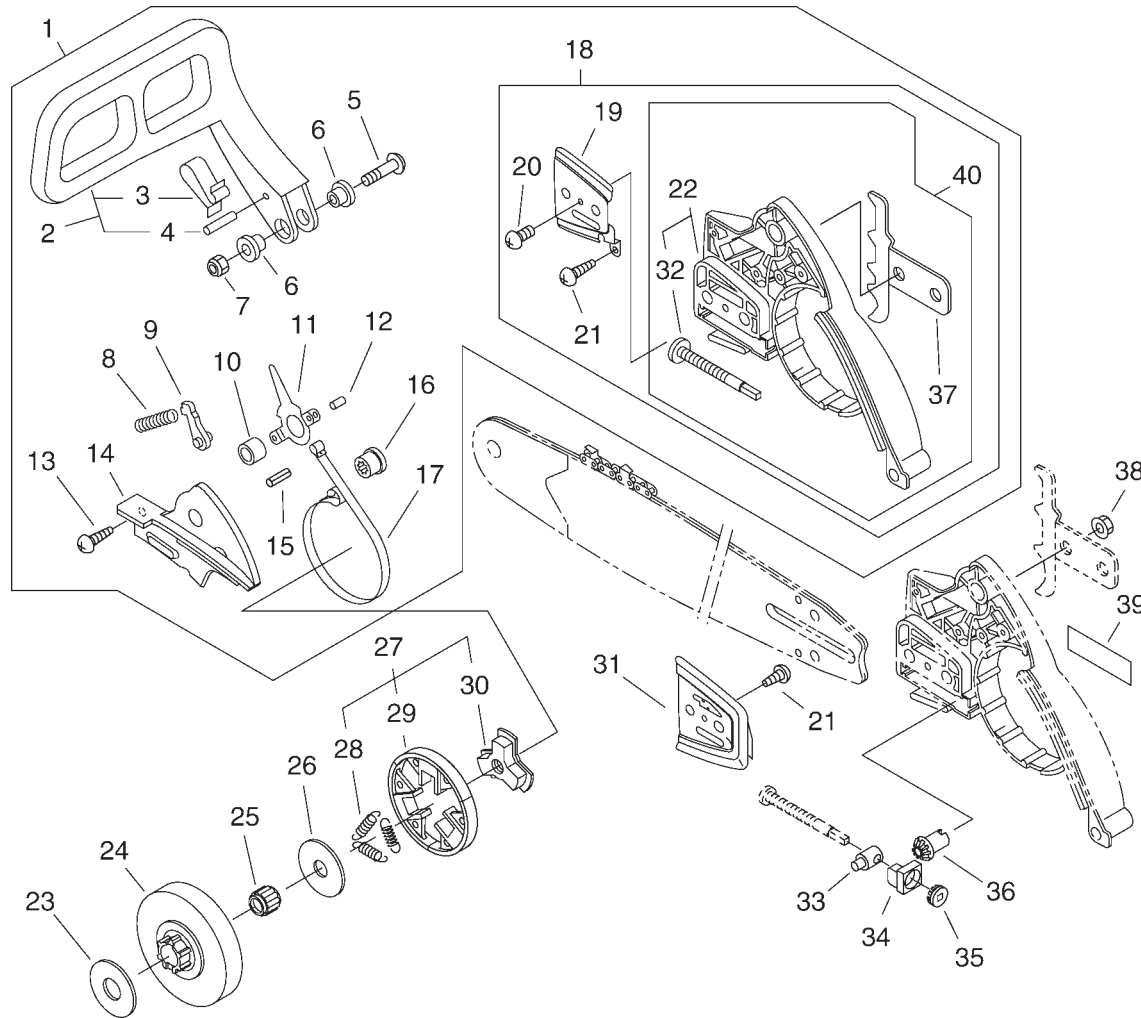
KEY	LV	PART NUMBER	Q'TY	DESCRIPTION	REMARKS
25	+	177246-11120	1	CLIP, STARTER ROPE	
26	+	P022-001320	1	GRIP, STARTER	
27	+	A500-000151	1	CASE, STARTER	
28		900238-04016	4	SCREW 4*16	
29		890118-49330	1	LABEL, ECHO	



KEY	LV	PART NUMBER	Q'TY	DESCRIPTION	REMARKS
1		437002-38330	1	AUTO-OILER ASSY	
2	+	437016-38330	1	NEEDLE, ADJUST	
3	+	437029-37330	1	WASHER	
4	+	437015-37330	1	SPRING	
5	+	437024-37330	1	PLUNGER	
6	+	437062-38330	1	CAP, OIL PUMP	
7	+	437019-38330	1	SPRING	
8	+	123127-15030	1	RING	
9		900223-04016	2	SCREW	
10		437210-39931	1	PIPE	
11		132013-26630	1	CLIP	
12		132115-12330	1	GROMMET	
13		437210-35430	1	PIPE	
14		436205-14730	1	STRAINER, OIL	
15		175310-38330	1	PLATE, SEAL	
16		898510-39130	1	BAG, TOOL	
17		895410-02830	1	WRENCH, W/S. DRIVER	
18		895812-03930	1	DRIVER, SCREW 50	
19		898567-38330	1	SCABBARD, GUIDE BAR	
20	+	898568-14530	1	ROPE	

CS-3700ES

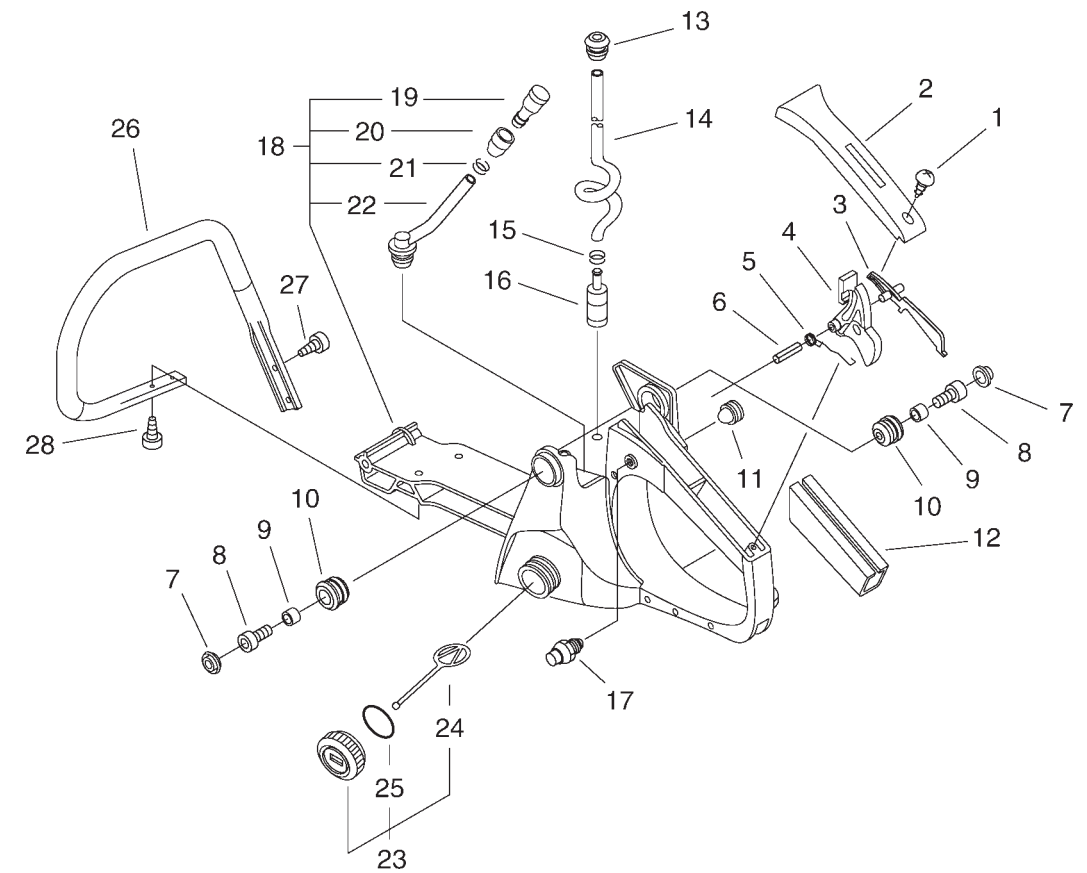
5 Clutch, Sprocket



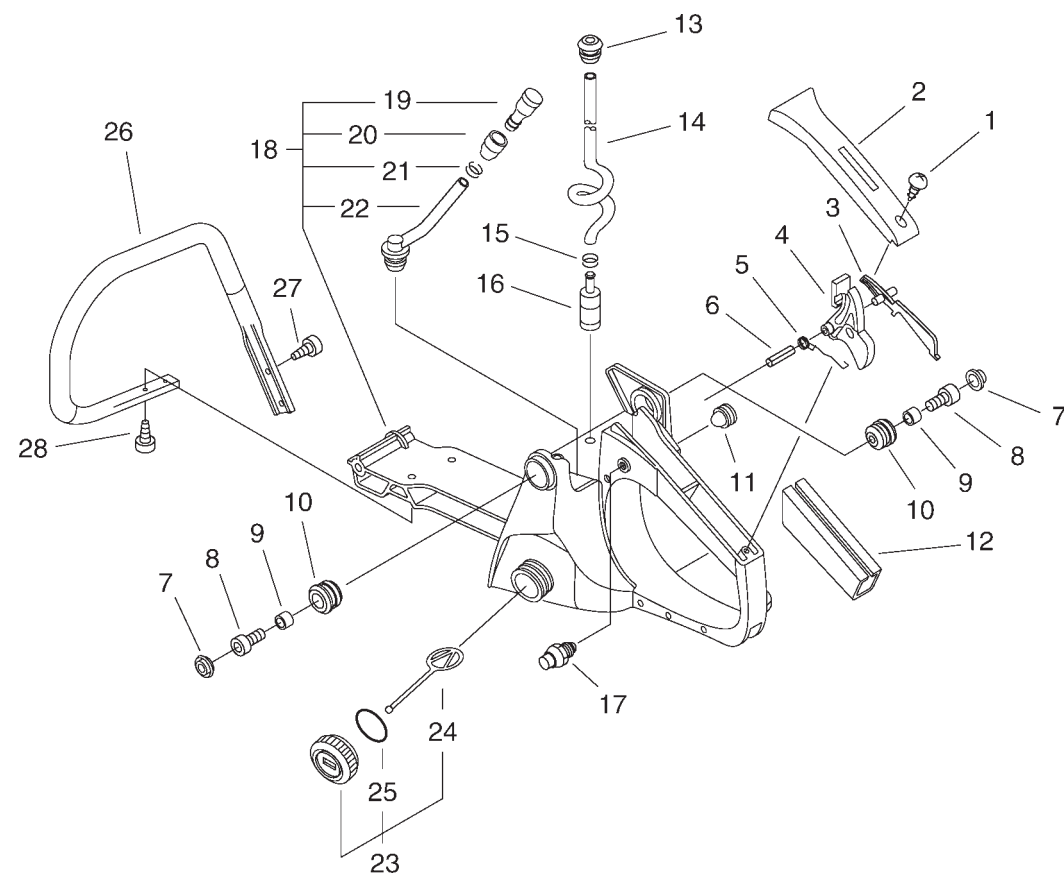
KEY	LV	PART NUMBER	Q'TY	DESCRIPTION	REMARKS
37	++	C304-000020	1	SPIKED	
23		175019-38330	1	PLATE, CLUTCH	
24		A556-000171	1	DRUM, CLUTCH	
25		175012-00831	1	BEARING, NEEDLE	
26		175019-39430	1	PLATE, CLUTCH	
27		A056-000120	1	CLUTCH	
28	+	V451-000500	3	SPRING, TENSION	
29	+	P021-007050	1	CLUTCH SHOE SET	
30	+	A552-000060	1	HUB, CLUTCH	
31		433012-39930	1	PLATE, GUIDE	
21		900253-04008	1	SCREW 4*8	
33		C309-000030	1	TENSIONER, CHAIN	
34		V355-000270	1	COLLAR, 8	
35		V651-000011	1	GEAR, BEVEL	
36		V651-000001	1	GEAR, BEVEL	
38		433019-12330	2	NUT, FLANGE 8	
39		X502-000020	1	LABEL, ECHO	

CS-3700ES

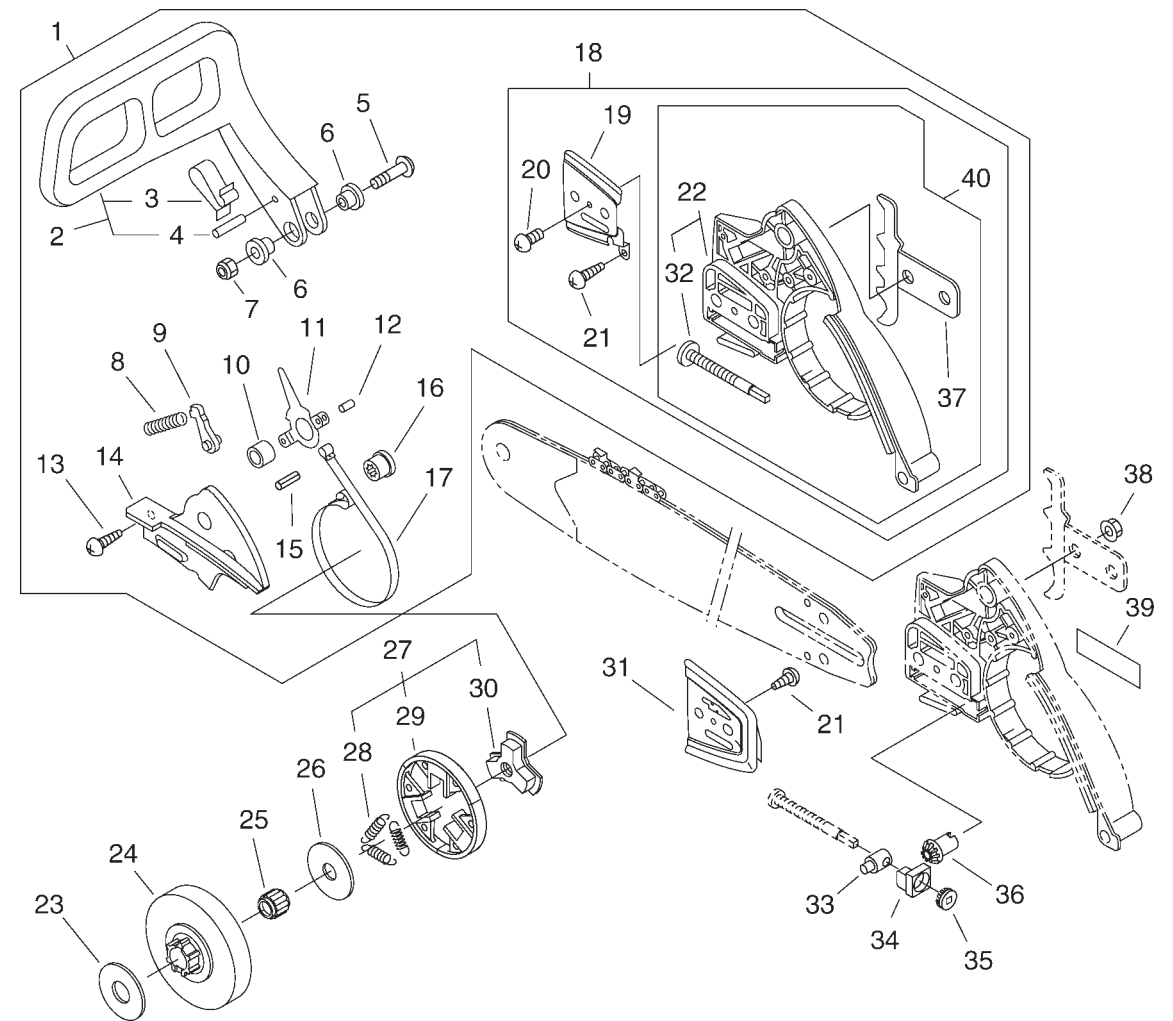
4 Handle



KEY	LV	PART NUMBER	Q'TY	DESCRIPTION	REMARKS
1		900253-04014	1	SCREW 4*14	
2		351155-35430	1	COVER, HANDLE (BL)	
3		178090-37930	1	LOCKOUT, T. CONTROL	
4		C450-000000	1	TRIGGER, THROTTLE	
5		178043-35430	1	SPRING, THR. RETURN	
6		900345-40030	1	PIN, SPRING 4*30SUS	
7		100918-19830	2	CAP, CUSHION	
8		900105-04020	2	BOLT, H.S. 4*20	
9		100915-15131	2	SUPPORTER, CUSHION	
10		100910-19730	2	CUSHION	
11		100252-39930	2	CUSHION	
12		351111-19830	1	GRIP, HANDLE	
13		132115-04920	1	GROMMET	
14		132010-00760	1	PIPE, FUEL	
15		132013-09820	1	CLIP	
16		131205-19830	1	STRAINER, FUEL	
17		178302-37930	1	LATCH, THROTTLE	
18		351103-39934	1	HANDLE, REAR	
19	+	131300-56430	1	VALVE, CHECK	
20	+	131328-40630	1	COVER, VENT	
21	+	132013-26630	1	CLIP	
22	+	132012-39930	1	PIPE, W/GROMMET	
23		131004-37932	1	CAP ASY, FUEL	
24	+	A365-000050	1	CONNECTOR, CAP	



KEY	LV	PART NUMBER	Q'TY	DESCRIPTION	REMARKS
25	+	900720-00022	1	O-RING 22	
26		C400-000190	1	HANDLE,FRONT	
27		91145-05020	2	BOLT HS TAPPING	
28		91145-05016	2	BOLT HS TAPPING	



KEY	LV	PART NUMBER	Q'TY	DESCRIPTION	REMARKS
1		P021-010300	1	BRAKE,ASM CHAIN	
2	+	433105-60030	1	LEVER, BRAKE	
3	++	433114-38331	1	SPRING	
4	++	900330-30240	1	PIN 3*24	
5	+	91318-05032	1	SCREW	
6	+	433167-39130	2	SPACER	
7	+	900562-50005	1	LOCKNUT 5	
8	+	433122-35430	1	SPRING, BRAKE	
9	+	433209-35430	1	STOPPER, BRAKE	
10	+	433115-38330	1	WASHER 5.2*12*14	
11	+	433208-35431	1	LEVER, BRAKE	
12	+	900330-40088	1	ROLLER 4*8.8	
13	+	900253-04010	2	SCREW 4*10	
14	+	433310-38330	1	COVER, BRAKE	
15	+	900342-25012	1	PIN, SPRING 2.5*12	
16	+	433142-35430	1	ADJUSTER, BRAKE	
17	+	C328-000060	1	BAND,BRAKE	
18	+	P021-001313	1	GUARD,SPROCKET SET	
19	++	C305-000011	1	PLATE,SPROCKET GUARD	
20	++	900220-03006	1	SCREW 3*6	
21	++	900253-04008	1	SCREW 4*8	
40	++	P021-010280	1	GUARD, SPROCKET KIT	
22	+++	P021-010170	1	GUARD, SPROCKET KIT	
32	++++	V203-000110	1	BOLT,5	

 **KIORITZ CORPORATION**

7-2 SUEHIROCHO 1-CHOME, OHME, TOKYO 198-8711, JAPAN
PHONE: 81-428-32-6118. FAX: 81-428-32-6145.





PARTS CATALOGUE

CHAIN SAW CS-3700ES

200602 No.62-047(630086)630051